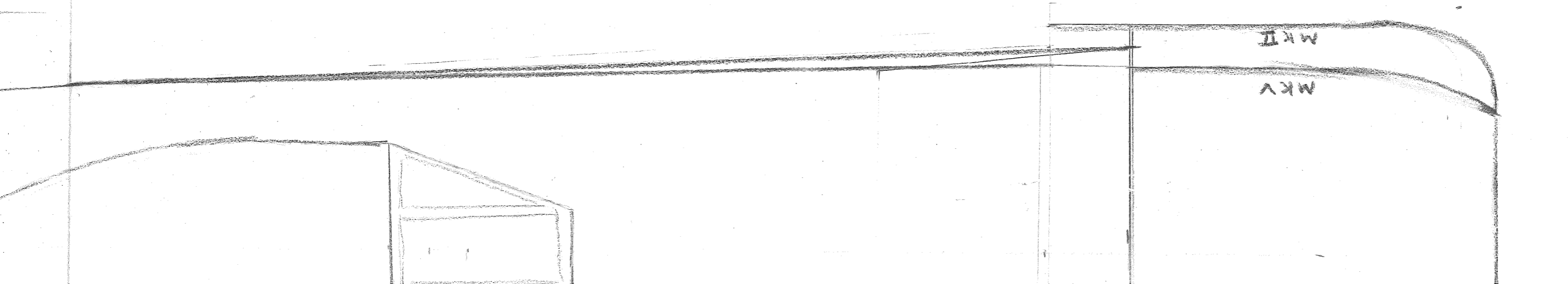
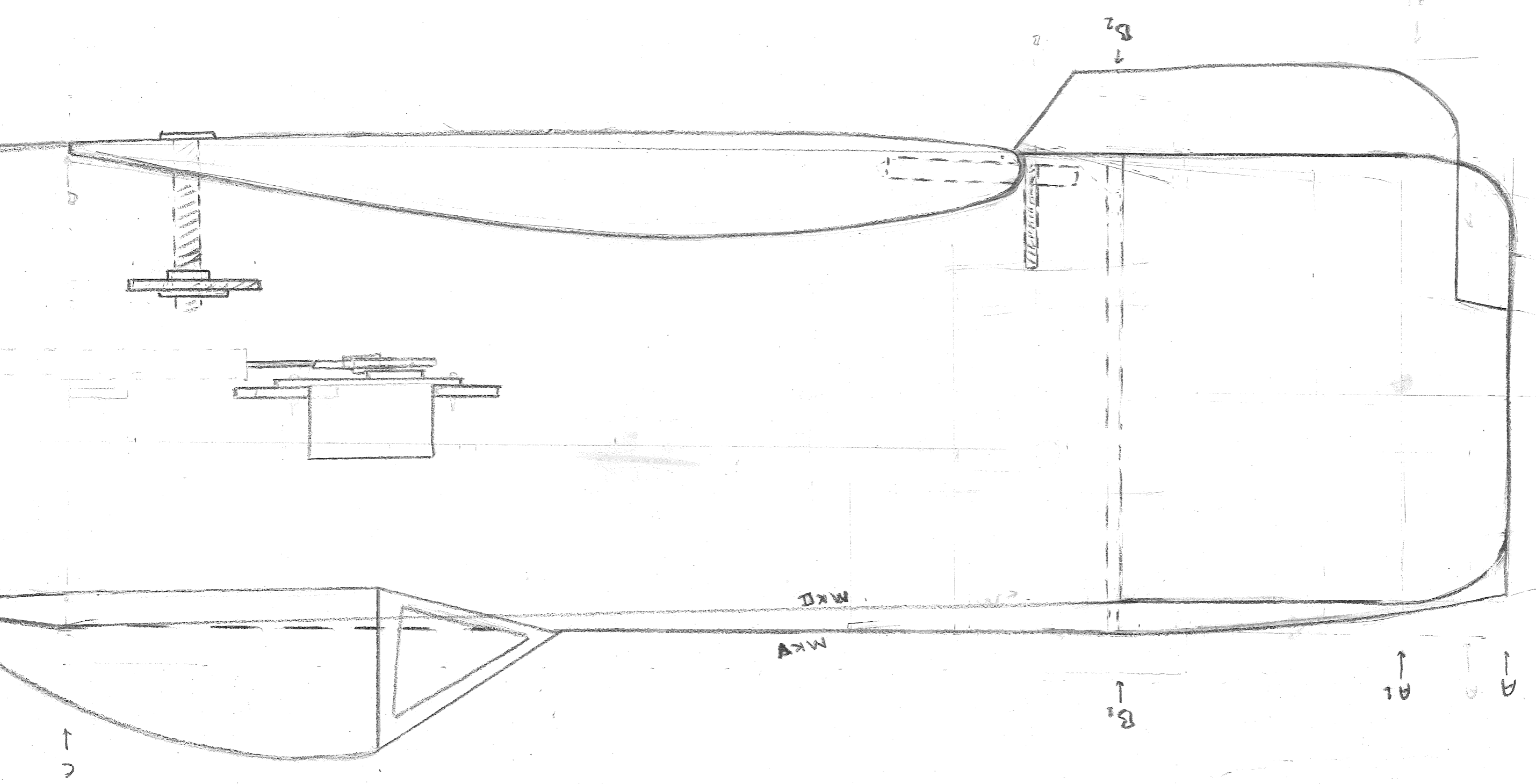
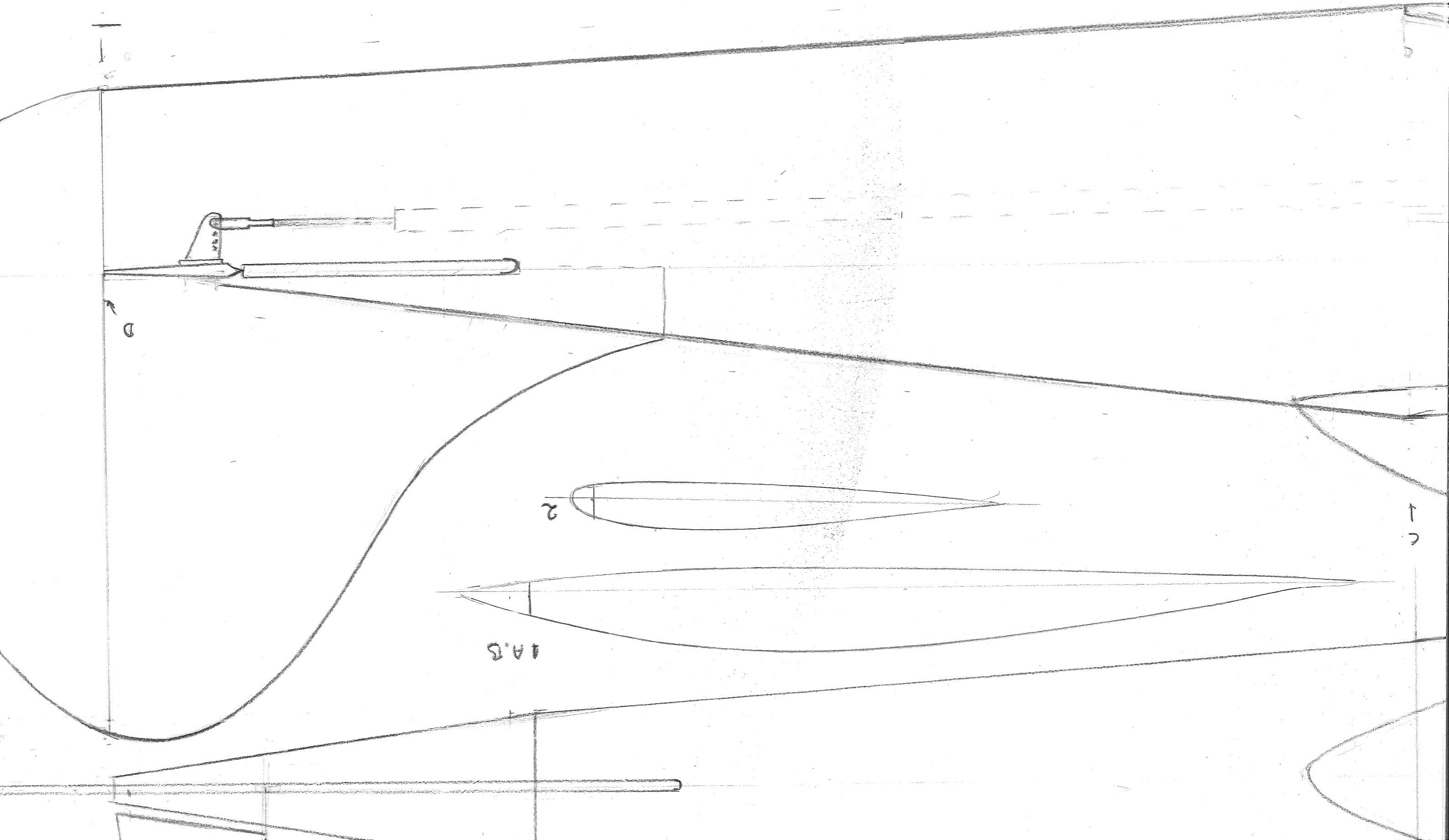


151

323





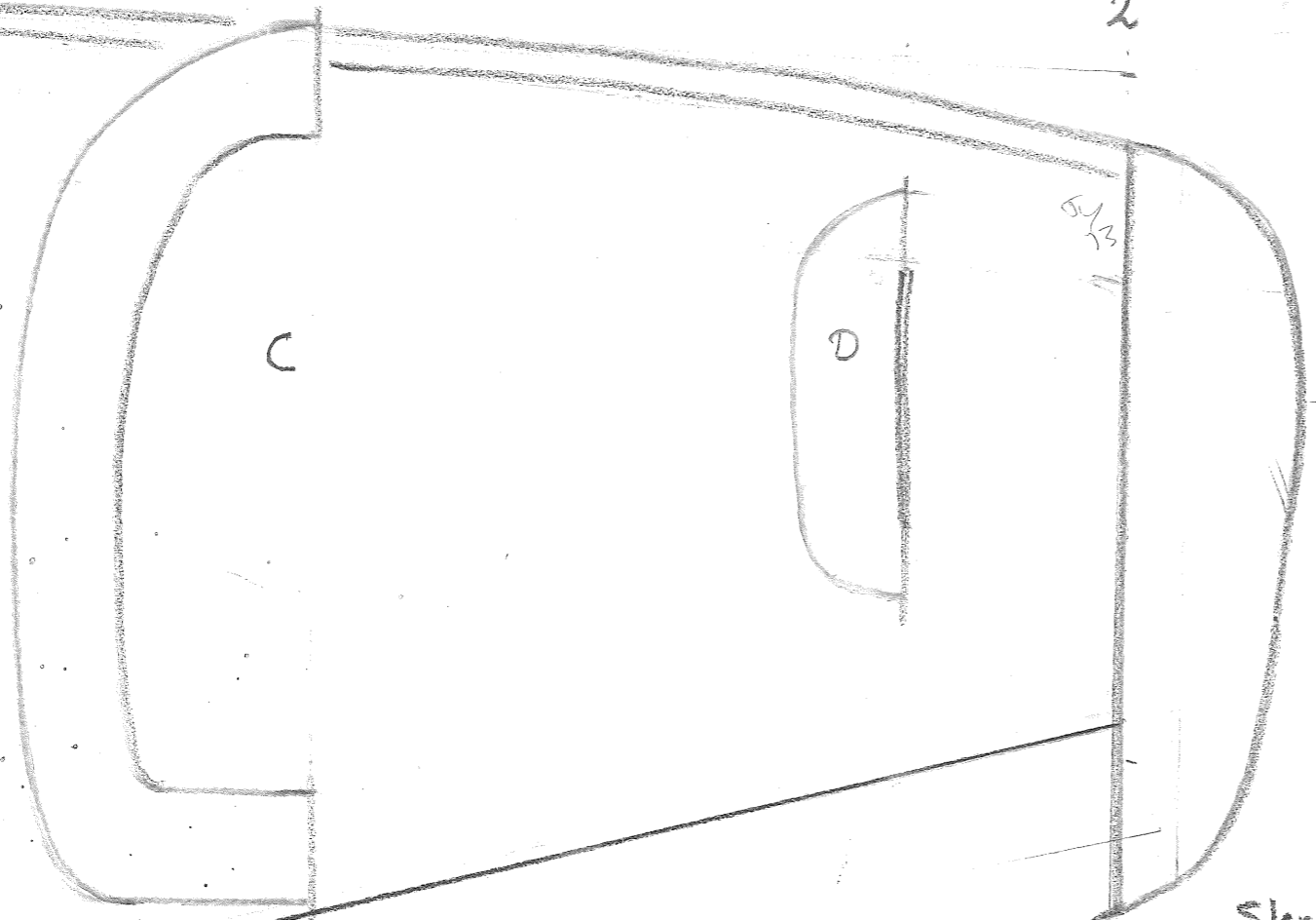
B

2

1A.B

1

2

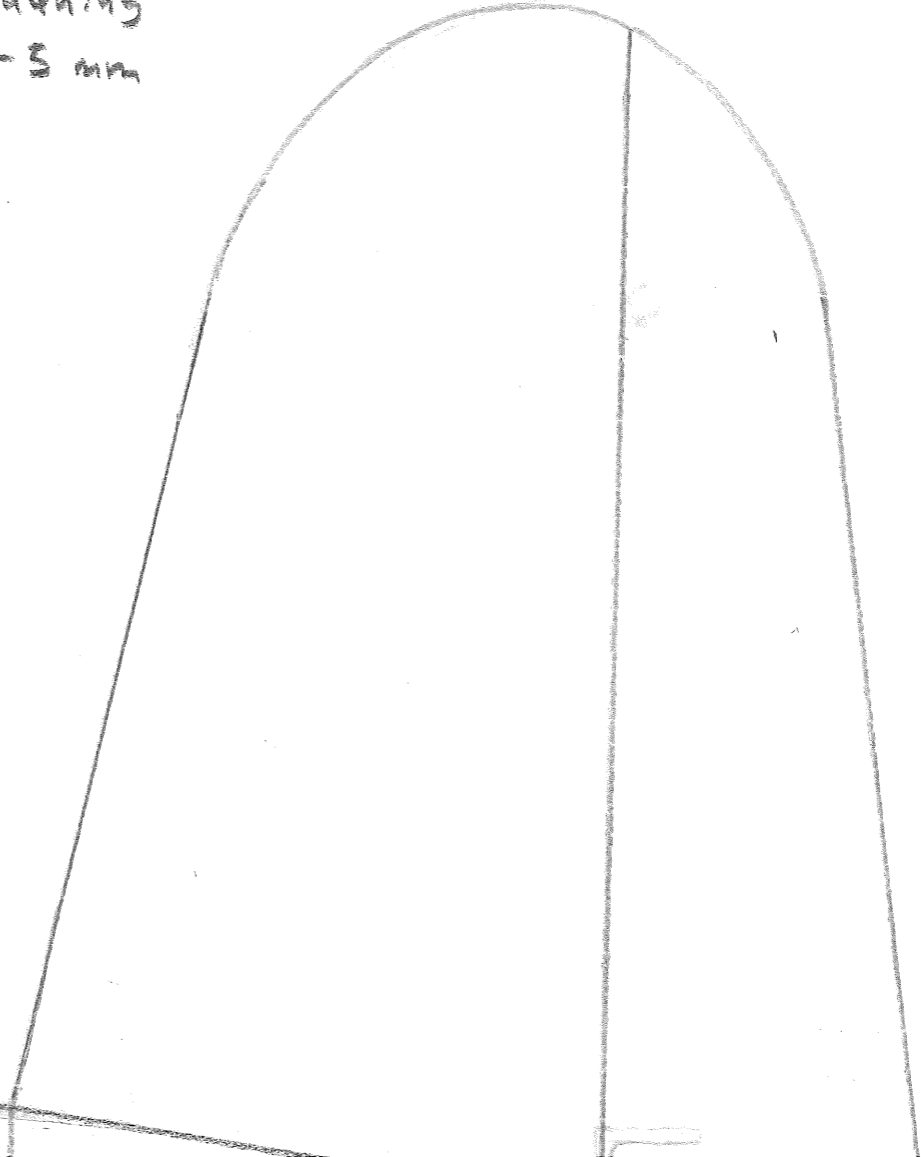


Stränkung
4-5 mm

Vlage



= 25 mm



22y

1. to

TX
(84)

